

User Guide

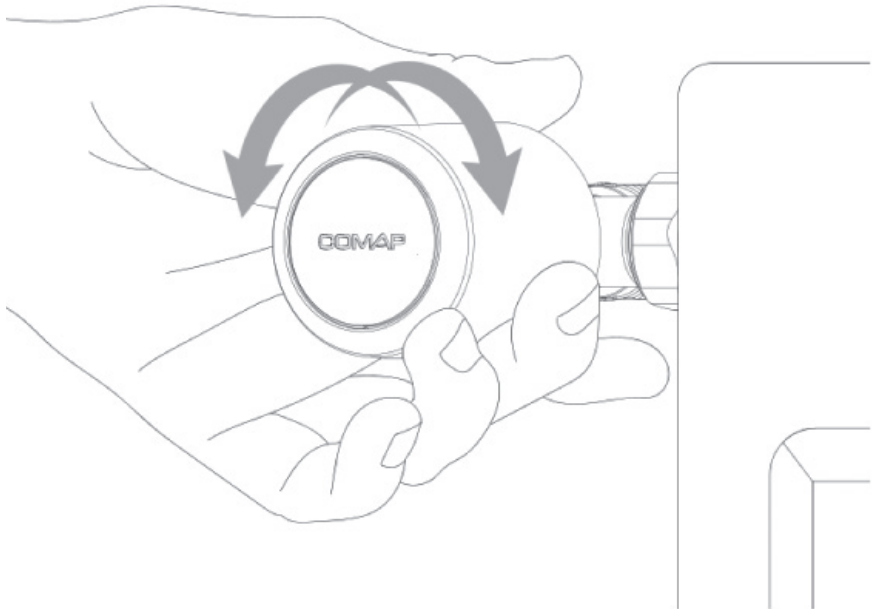
COMAP Smart Home

Thermostatic head

Programmable version

COMAP

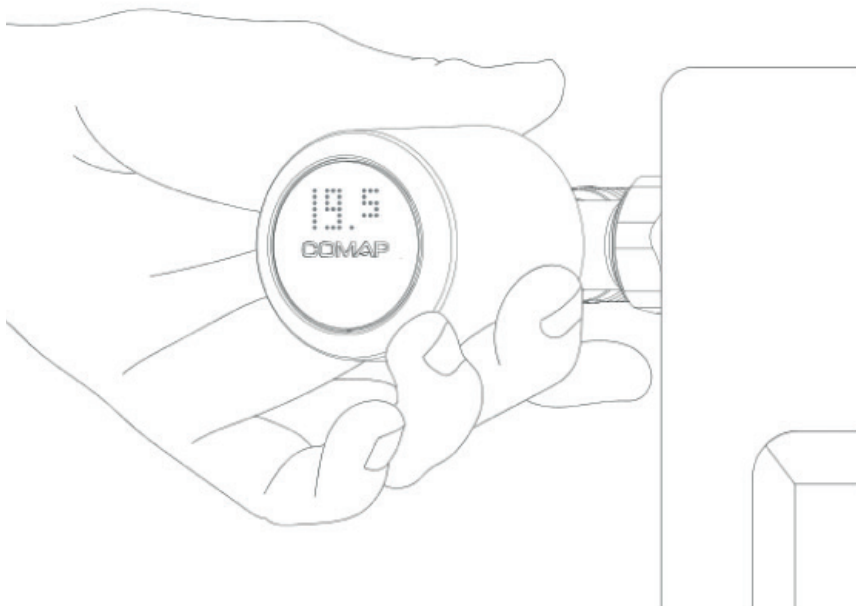
- 1 Wake up the COMAP Smart Home head**
Turn the wheel to the right or left and let go.



2

Display of the set temperature

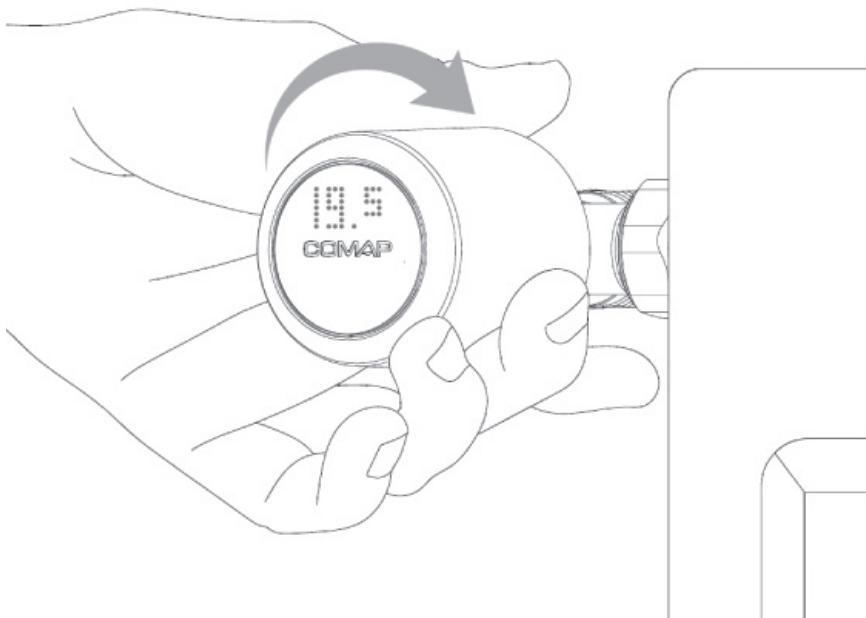
The set temperature is displayed in the centre of the head.



3 Increasing the set temperature

Turn the wheel to the right and let go.

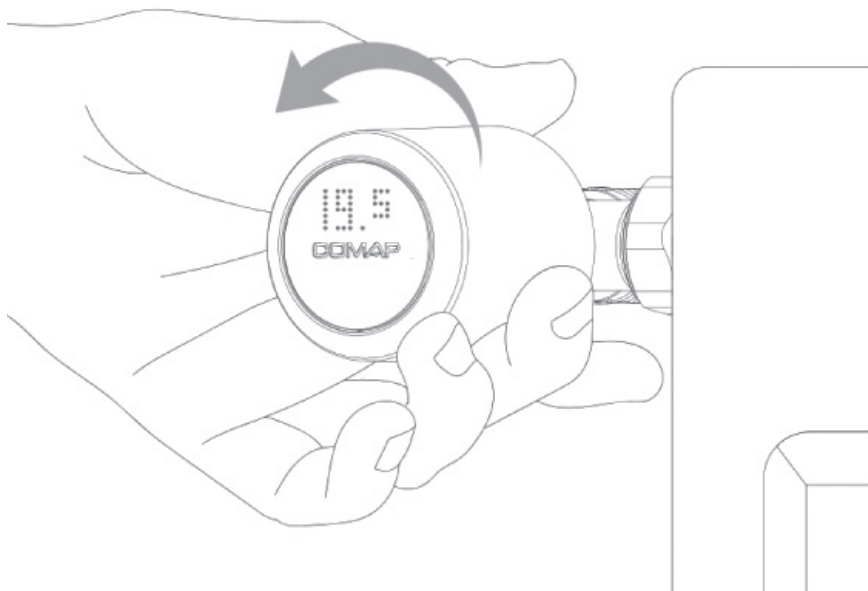
Repeat until the temperature you wish to set appears on the screen.



4 Reducing the set temperature

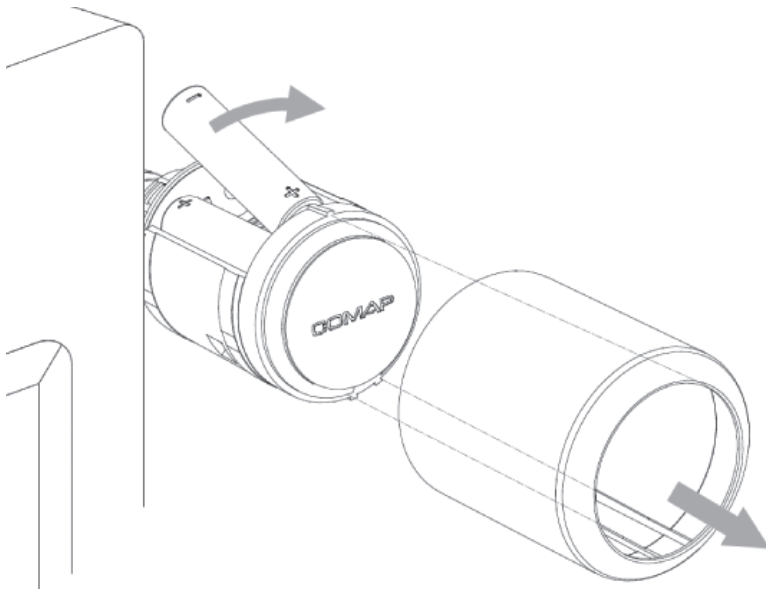
Turn the wheel to the left and let go.

Repeat until the temperature you wish to set appears on the screen.

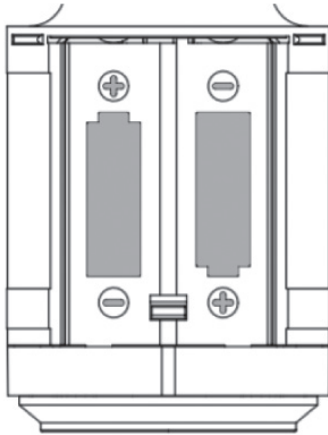


5 Changing the batteries

Your head operates with two AA (LR6) batteries.
To access the battery compartment, pull the wheel.



- ! Change the batteries while observing the polarity engraved on the plastic housing.



Once the batteries have been changed, replace the wheel, ensuring that the single groove is at the top and the double groove is at the bottom.

